

# TRIPOSOFT - SOFT TRIPOD BAG

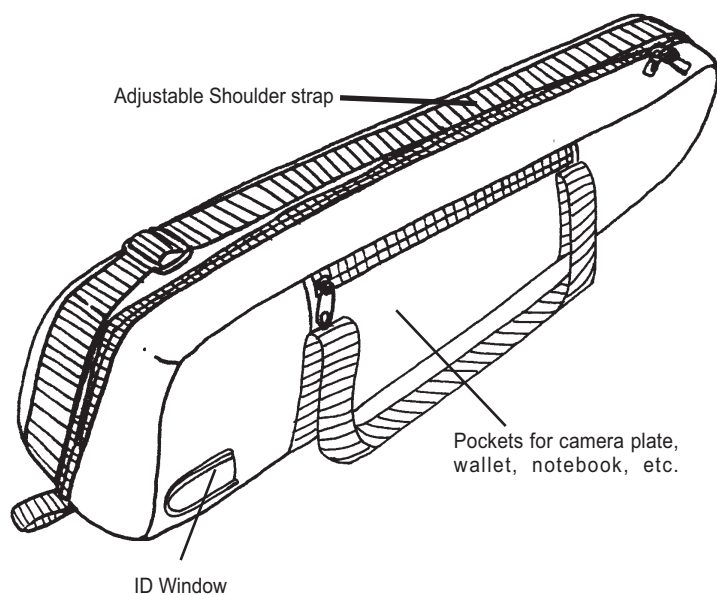
SOFT TRIPOD CASE FOR ACTION-PRO  
TRIPODS

## TRIPOACTION-41

ORDER CODE KT / VE-104-41	L 34.6" 88 cm	W 7.5" 19.5 cm	H 7.5" 19.5 cm	Wt. 2.0 lbs 0.9 Kg
------------------------------	------------------	-------------------	-------------------	-----------------------

## TRIPOACTION-42

ORDER CODE KT / VE-104-42	L 42.5" 108 cm	W 7.5" 19.5 cm	H 7.5" 19.5 cm	Wt. 2.4 lbs 1.1 Kg
------------------------------	-------------------	-------------------	-------------------	-----------------------



The perfect padded case for small diameter, light, single-stage or two-stage video or film tripods like Action-Pro with head and pan handle in place, Triposoft Action is rugged, yet lightweight. The roomy central compartment protects the tripod, while the zipper extends the entire length of the case for quick and easy retrieval of legs and head. External zippered pocket can be used to stow tripod-plate, accessories and other items. The sunshine yellow interior, zipper pulls and accents make for easy visibility, even on darkened sets.

### KATA'S UNIQUE FEATURES

(see katalog for details)

- Yellow Interior
- ID Window

### MATERIALS

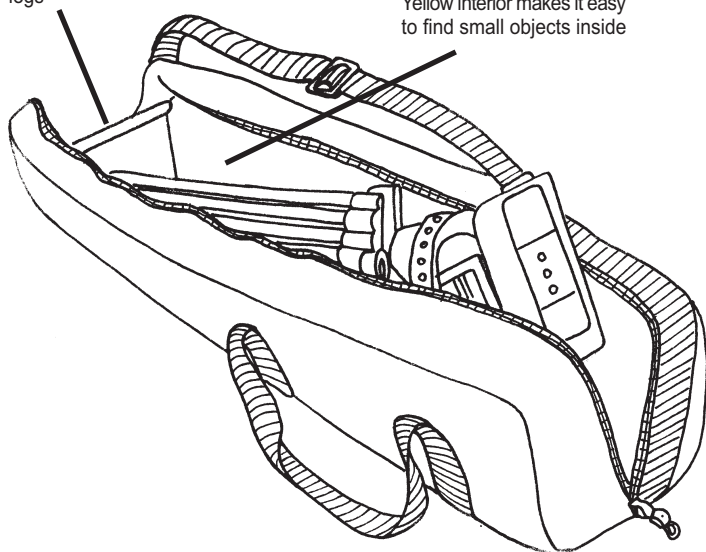
- **Fabric:** DuPontd 1000 denier Cordura® and specially fabricated Nycore with fluorocarbon based water-repellent finish on the outside and three layers of polyurethane coating on the inside.
- **Straps:** High tenacity Polypropylene and Nylon webbing.
- **Padding:** Cross-linked Polyethylene-foam in shoulder straps and handles.
- **Zippers:** Silent action YKK® coil and molded zippers.
- **Buckles:** ITW® and Duraflex® Nylon and Acetal buckles.

An Extra wide opening zipper extends entire length for quick removal of legs and head to ease the tripod in and out of the bag. A Five sided tube closes snugly around the tripod when the bag is closed



Extra Cordura layer to protect the Tripod's legs

Yellow interior makes it easy to find small objects inside



SPECIFICATIONS SUBJECT TO CHANGE WITHOUT NOTICE. 250303.

Development & production by **KATA** Ltd.  
POB 4253 Jerusalem , Israel 91042  
Tel: + 972-2-5388844  
Fax: + 972-2-5388845  
www.kata-bags.com  
Info: technical@kata-bags.com  
Sales: video@kata-bags.com



KATA. A SIMPLE CASE  
OF BETTER DESIGN.