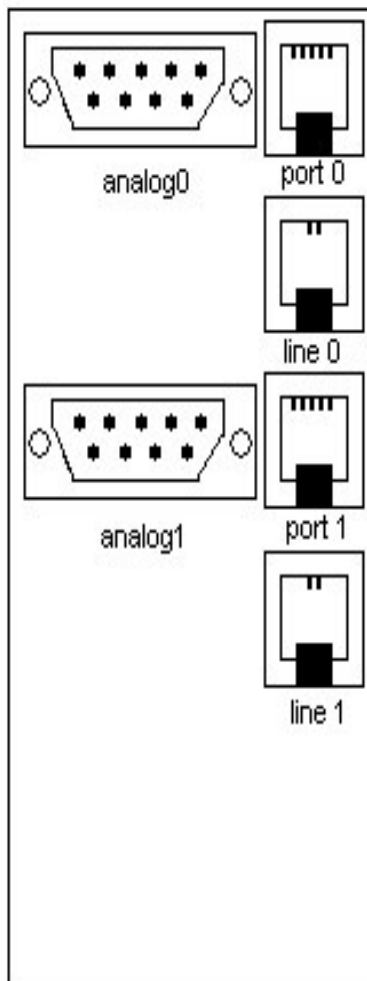


KROMA TELECOM

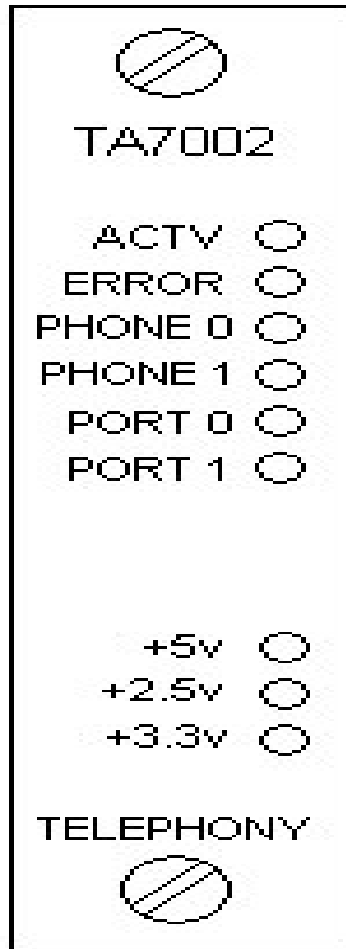
TA7002/TA7004 – Interface for PSTN lines and Telephone Sets

TA7002 is a FXO interface for 2 PSTN lines. TA7004 is a FXS interface for 2 phonesets so a telephone set becomes an user intercom panels. Dialling keypad is used as the keyboard of the terminal (apart from a normal dialling use to make/receive calls). Interface will act as a local exchange of the intercom system. It can also interface with DECT wireless terminals so its users might be located at all times. Thru Indico software, user will be able to assign matrix ports to interface ports, state telephone numbers, call management, DTMF call selection...

Rear boards can be single (two RJ45 connectors to matrix, two RJ11 connectors for PSTN lines and two 9-pin SubD connectors as auxiliary analogue ports for being connected to the analogue intercom TB6000 or to send/receive the telephone audio in analogue format) or double (up to four lines, with a 62-pin SubD connector). Both fill two slots at the rack frame. TA7004 and TA7002 rear boards are the same so one TA7002 and one TA7004 can be inserted into the same double rear panel.



Rear TA7002/TA7004



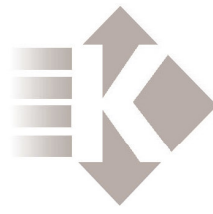
Front TA7002/TA7004

KROMA TELECOM

La Granja 80 – Pol Ind Alcobendas
28108 MADRID – SPAIN

Tel +34.91.661.4514 Fax +34.91.661.5875 Email sales@kromatelecom.com

www.kromatelecom.com



KROMA TELECOM

TA7002 TECH SPECS:

Dimensions	3RU/19", 360 mm deep with mechanical
Weight	870g with rear
Power Supply	+20v, -20v external PS
Signal format	Codec 44,1Khz sampling, 24bits audio
Digital Conneciton	RJ45 in digital
Analogue Connection	SUBD9H in single rear, SUBD62H in double rear
Telephone Connection	RJ11 Connectors
Aux Analogue I/O	Bandwidth 150Hz-3kHz Max level 12dBv Bandwidth 150Hz-10kHz SNR > 70 dB THD < 3% at 4 dBv

TA7004 TECH SPECS:

Dimensions	3RU/19", 360 mm deep with mechanical
Weight	870g with rear
Power Supply	+20v, -20v external PS
Signal Format	Codec 44,1Khz sampling, 24bits audio
Digital Connection	RJ45 in digital
Analogue Connection	SUBD9H in single rear, SUBD62H in double rear
Telephone Connection	RJ11 connectors
Aux Analogue I/O	Bandwidth 150Hz-3kHz Max level 12dBv Bandwidth 150Hz-10kHz SNR > 70 dB THD < 3% at 4 dB

KROMA TELECOM

La Granja 80 – Pol Ind Alcobendas
28108 MADRID – SPAIN

Tel +34.91.661.4514 Fax +34.91.661.5875 Email sales@kromatelecom.com

www.kromatelecom.com