

# SHELL - CAMERA CASES

FOR COMPACT DV CAMERAS

## SHELL-03 (CCC-2003)

ORDER CODE KT / VA-2003	L 16.5" 42 cm	W 10.6" 27 cm	H 7.9" 20 cm	Wt. 2.2 lbs 1.0 Kg
----------------------------	------------------	------------------	-----------------	-----------------------



The **SHELL-03** has a unique thermoformed Clam Shell design which offers ultra protection for DV cameras such as the Sony PD150, PDX10, Panasonic DVX100, JVC GR-DV300, Canon GL2 / XM2 and similar sized models. Using the Modi-Vers divider system, the case can easily be adjusted to fit your camera with related accessories. An internal padded mesh pocket provides extra storage possibilities without compromising the protection of the camera.

## KATA'S UNIQUE FEATURES

(See catalog for details)

- Yelloop (yellow "loop" interior fabric)
- Modi-Vers
- BSS shoulder strap
- On Board dimensions

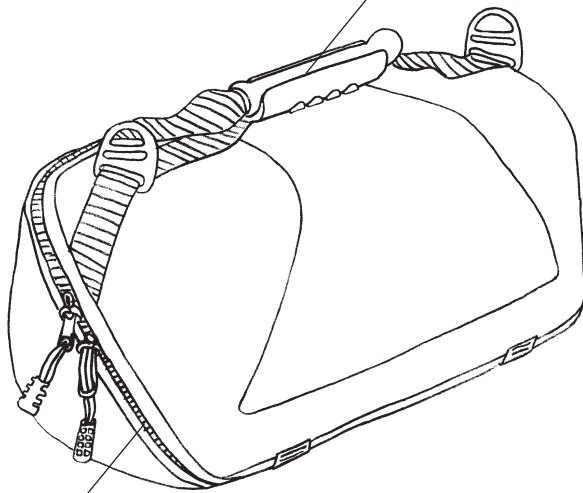
## MATERIALS

- *Fabric:* DuPontd 1000 denier Cordura® and specially fabricated Nycore with fluorocarbon based water-repellent finish on the outside and three layers of polyurethane coating on the inside.
- *Straps:* High tenacity Polypropylene and Nylon webbing.
- *Padding:* Cross-linked Polyethylene-foam in shoulder straps and handles.
- *Zippers:* Silent action YKK® coil and molded zippers.
- *Buckles:* ITW® and Duraflex® Nylon and Acetal buckles.

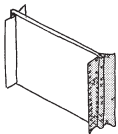
## OPTIONS

- KT/VG-MDK-10, Modi-Vers Kit

Interlocking Handles  
Lock closes case  
without zipping up



Full diagonal opening

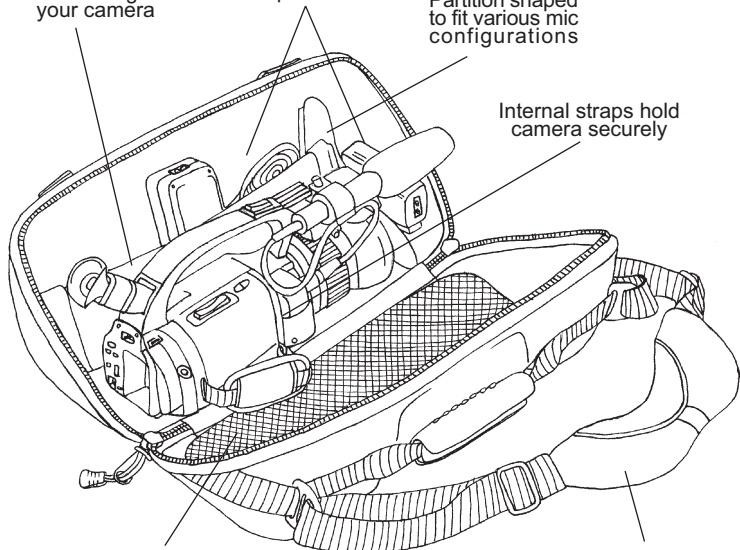


Modi-Vers divider  
Cut to fit length of  
your camera

Two accessory  
compartments

Partition shaped  
to fit various mic  
configurations

Internal straps hold  
camera securely



Flat padded mesh pocket  
With top Velcro attachment  
for easy quick access

BSS Shoulder Strap

