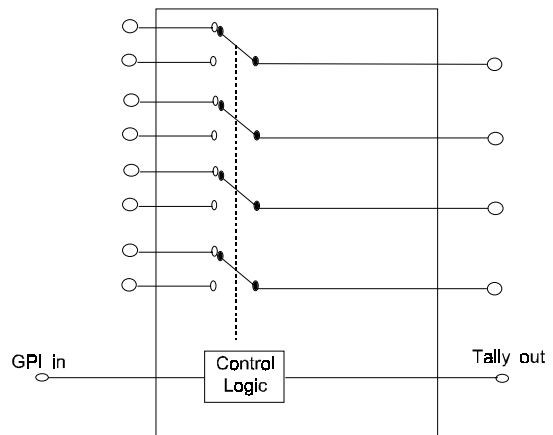


RSW204 - 2x1 Relay Switching Module

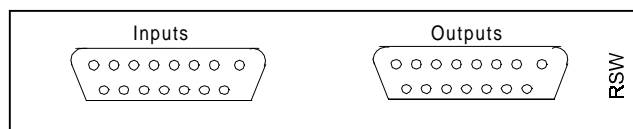
This card enables switching of analogue/digital audio, analogue video or similar signals. The card consists of four HF relays. These relays are switched by a control signal. The control signal is a TTL compatible signal. This control signal may come from our ESW201 (Digital Video switching card) or may be a simple contact closure to ground. The signal must be held low to maintain the switch position. The signal path through the board is passive.



Rear Panel Connections

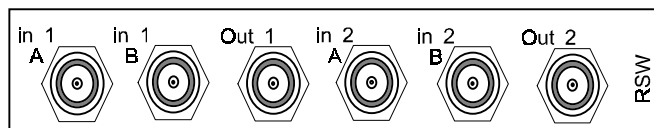
Balanced Audio

For balanced audio applications, the input/output connections would be through standard 15 way D type sockets



Unbalanced Audio / Video

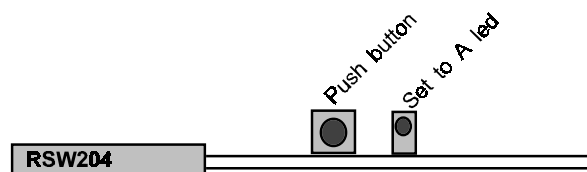
For unbalanced AES audio or Video, the rear connector would use BNC's. Note - This limits the the board using only two of the relays.



Control - The control GPI for each module is taken to a D type connector on the rear of the frame. Taking the control GPI to ground will cause the relay to switch. A Tally output goes low to indicate the status of the switch. This is open collector and can sink approx 30mA. This is compatible with Microvideo's ESW201 digital video switching card.

The push button on the front of the card sets the relays to input A.

The LED lights when on input A.



Physical The board is a Series 200 card and will plug into a 1U or 3U Microvideo frame.

Part No	RSW204D	Relay based switching for audio with D type in / out.
	RSW204B	Relay based switching for analogue audio / video, BNC in / out.