

ProStar Power Amplifier

2, 7 & 13 GHz Mast and Rackmount Power Amplifiers



Applications

- Electronic news gathering

Features

- Wideband coverage:
- PA-200WB: 1.9 to 2.5 GHz or 2.3 to 2.7 GHz
- PA-700 & PA-700HP: 5.9 to 6.4 GHz or 6.4 to 7.1 GHz or 7.2 to 7.7 GHz
- PA-1300: 12.7 to 13.2 GHz
- High-quality, reliable, compact family of power amplifiers
- Mast-mount units for van operations
- Solid-state FET or bipolar broadband RF output amplifiers incorporated into all RF heads
- Operational bypass available for PA-200WB 2 GHz Wideband Power Amplifier

Overview

The ProStar Power Amplifiers are ideally suited for portable microwave video applications using our Millennium Transmitters. The Power Amplifiers consist of an RF amplifier housed in a ruggedized, weather-resistant enclosure and, for van installations, a rack mounted power supply.

The power supply rack controls amplifier output with optional antenna band selection and polarization. The front panel display is switchable between power supply and RF readings. The power supply rack also has facilities for installing a Millennium Series TBT Transmitter so that it is accessible through the front panel.

For van applications, the RF amplifier is mounted on the mast head, and the power supply rack containing an optional ProStar or Millennium Transmitter is mounted inside the van. This configuration provides portability and allows the transmitter to be removed from the van and used with a tripod.

SPECIFICATIONS

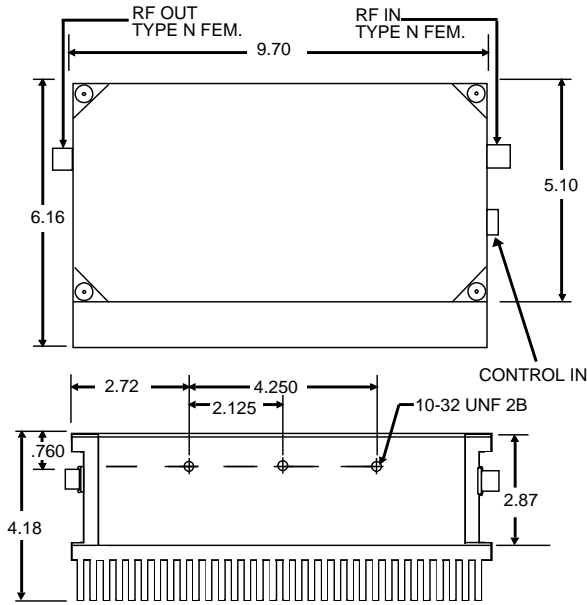
GENERAL SPECIFICATION

	<i>PA-200WB*</i>	<i>PA-700</i>	<i>PA-700HP</i>	<i>PA-1300</i>
Frequency Range:	1.99–2.5 GHz or 2.3–2.7 GHz	5.9–6.4 GHz or 6.4–7.1 GHz 7.1–7.7 GHz	5.9–6.4 GHz 6.4–7.1 GHz 7.1–7.7 GHz	12.7–13.2 GHz
Output Power:	12 W nom., 10 W min	3 W nom., 2 W min	10 W nom., 8 W min	1 W nom., 0.8 W min
Drive Level:	300 mW min 1 W max	5 mW min 20 mW max	5 mW min 20 mW max	5 mW min 20 mW max
For mass greater than 42', specify mast length on order.				
RF I/O Impedance:	50Ω	50Ω	50Ω	50Ω
Size, RF Head:	6.16" x 4.18" x 9.70"	3.12" x 2" x 9.25"	6.16" x 4.18" x 9.70"	3.12" x 2" x 9.25"
Power Supply Rack:	19" NEMA Rack, 3.5" high	19" NEMA Rack, 3.5" high	19" NEMA Rack, 3.5" high	19" NEMA Rack, 3.5" high
Weight, RF Head:	6 lbs. (2.7 kg) without heat sink	3.4 lbs. (1.5 kg)	6 lbs. (2.7 kg) without heat sink	3.4 lbs. (1.5 kg)

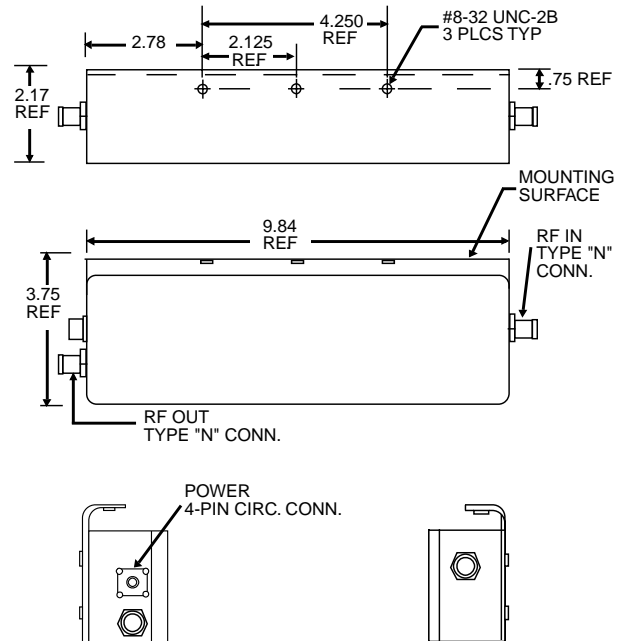
*For use with 2T10 or Super 2MX, the proper pad must be installed in the PA-200WB

CONFIGURATIONS

<i>DESCRIPTION</i>	<i>BAND</i>	<i>OUTPUT</i>	<i>BYPASS</i>
PA-200WB 2 GHz Wideband Power Amplifier	1.99 – 2.5 GHz	12 W output	Without bypass
PA-200WB 2 GHz Wideband Power Amplifier	1.99 – 2.5 GHz	12 W output	With bypass
7 GHz Mast-Mounted Power Amplifier	6.4 – 7.1 GHz	3 W output	Without bypass
7 GHz Mast-Mounted Power Amplifier	6.4 to 7.1 GHz	10 W output	Without bypass
13 GHz Mast-Mounted Power Amplifier	12.7 – 13.2 GHz	1 W Output	without bypass



*PA-200WB & PA-700HP RF Head
Outline dimensions*



*PA-700 & PA-1300 RF Head
Outline dimensions*



MRC
 Microwave Radio Communications
 101 Billerica Avenue, Building #6
 North Billerica, MA USA
 01862-1256

Tel: +1.978.671.5700
Fax: +1.978.671.5800
e-mail: info@mrcbroadcast.com
web site: www.mrcbroadcast.com

MRC products are manufactured under a quality system certified to ISO 9001. MRC reserves the right to make changes to specifications of products described in this data sheet at any time without notice and without obligation to notify any person of such changes.

© November 2002 Microwave Radio Communications (Part N° 60076)

