

ProScan III

Central Receive Antenna



Applications

- Steerable Antenna for Central Receive Systems

Features

- Digital-ready for 7GHz, standard
- 1.4 Meter Cosecant squared reflector eliminates requirements for elevation travel in most applications
- Quad polarizations (H,V, LCP, RCP)
- Ruggedized rotating mechanism, dual speed rotator
- 26 dB gain LNA (2GHz) with remote 24/12 dB gain reductions switching on LNA/Block Downconverter
- 6/7 GHz and 13 GHz Dual Block Down converters, 7 GHz comes from standard with a 9.125 digital-ready option
- 14.7-15.2 GHz Dual Block Downconverter

Overview

The ProScan III is a new advanced design featuring a full 360 degree rotating reflector in a compact enclosure. The ProScan III offers significant wind load reduction over the ProScan II. For maintenance and calibration, a front access door provides easy access. Or, the front of the enclosure can be removed for added access space.

The ProScan III's broadband design covers 2/2.5, 6/7, 13 & 14 GHz bands with appropriate block down converters. A "digital ready option" is available for the 7GHz band.

The antenna provides a solid state switching feed and optical encoders to eliminate conventional potentiometers. The antenna features the latest PCS/MMDS filter protection with high dynamic range LNA and filter.

The ProScan III is design to integrate with the CodeRunner 4 Receiver, MRC 2000 Antenna Controller, and the Master Control Software. With this configuration, the ProScan III provides real-time diagnostic troubleshooting to the master controller.

SPECIFICATIONS

Electrical Specifications

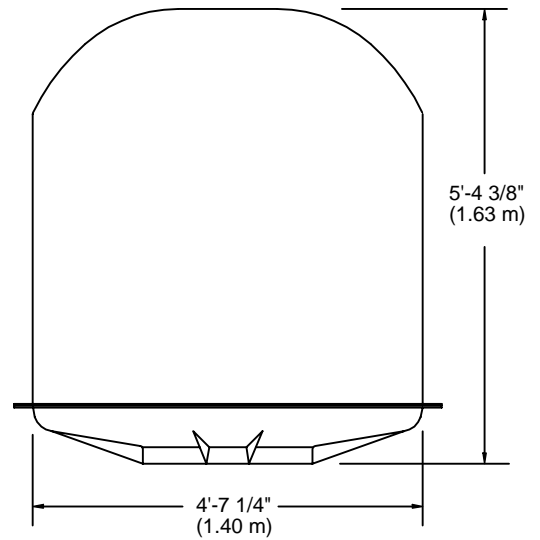
Model #	2 GHz	6.5 / 7 GHz	13 GHz	14 /15 Ghz
Frequency, GHz	1.99–2.50	6.4–7.1	12.7–13.2	14.7–15.25
Gain, dBi (nominal)	26	36	41	43
Azimuth, degrees	7.6	2.4	1.5	1.0
Elevation, degrees	7.2	3.8	1.8	1.7
LNA Noise Figure, dB	<1.5	<3.0	<4.0	<4.0
LNA Gain, dB	24/14	24	20	20
Polarization	Quad	Quad	Quad	Quad
Switching	Solid-State	Solid-State	Solid-State	Solid-Stat
Azimuth Rotation	CRO/Non-CRO	CRO/Non-CRO	CRO/Non-CRO	CRO/Non-CRO
DRO-9.125	N/A			

Note: Product Specifications may change without notice



ProScan III Antenna with Front Cover Removed

Weight 185 lbs
 Windloading:
 Frontal Drag at 75 mph 570 lbs
 Frontal Drag at 85 mph 646 lbs
 Frontal Drag at 125mph 949 lbs



ProScan III Dimensions



Microwave Radio Communications
 101 Billerica Avenue, Building #6
 North Billerica, MA USA
 01862-1256

Tel: +1.978.671.5700
Fax: +1.978.671.5800
e-mail: info@mrcbroadcast.com
web site: www.mrcbroadcast.com

MRC products are manufactured under a quality system certified to ISO 9001. MRC reserves the right to make changes to specifications of products described in this data sheet at any time without notice and without obligation to notify any person of such changes.
 © November 2002 Microwave Radio Communications (Part N° 60039)

