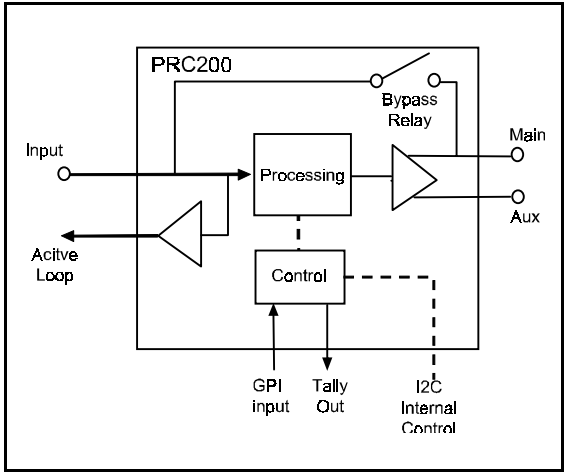


Microvideo

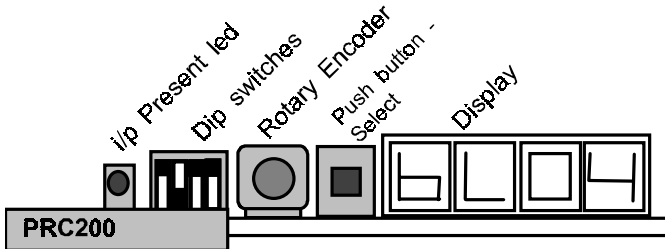
Digital Proc Amp Module

- Serial Digital Video (270Mb/s)
- Full control of video level
- Variable Clip Levels
- Card Edge or Remote Control
- Power Fail Bypass
- Multiple cards a 1U / 3U frame



The PRC200, Digital Proc Amp, provides an inexpensive means of controlling levels in a digital video environment. Its' compact size allows multiple cards in a single frame, making it ideal for multi-channel systems. It offers adjustment of YUV gain, black level, UV pedestals and overall video level. All the parameters can be set at the front of the card or by a remote control panel. The card is part of the Series 200 and so can be combined with the AMX200 audio module to give adjustment of audio levels as well.

- Input/Output** Serial Digital Video (270Mb/s) to EBU Tech. 3267-E, (SMPTE 259M)
- Processing** The internal multiplier works to 12 bit resolution, rounding to 10 bits on output. Delay < 5us.
- Control** The card features a rotary encoder and a four digit display to allow the parameters to be set from the front of the board.



Dip switch allows setting of - Electronic Bypass, Split Screen Display, Relay Bypass Activation

The following parameters can be adjusted -

Video Gain	Luma Gain	Chroma Gain	Y Gain	Cb Gain
Cr Gain	Black Level	U pedestal	V pedestal	Clip High
Clip Low	Hue Shift	VBI Line Blank	Hue Shift	Y/C delay

Eight different setups can be stored on the card and recalled by the user.

Remote Control RS232 / 422 control - requires CPU card in one slot, contact Microvideo for further details.

Physical Eurocard size module (220x100mm) for mounting in Microvideo's 1U and 3U frames. The power consumption is 6W. For Microvideo frames it has a power figure of 12.

Product Code PRC200 Digital Proc Amp Module.