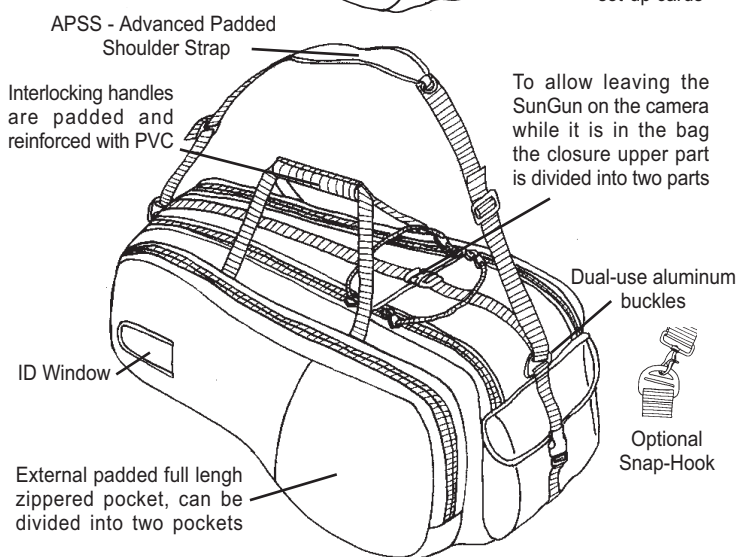
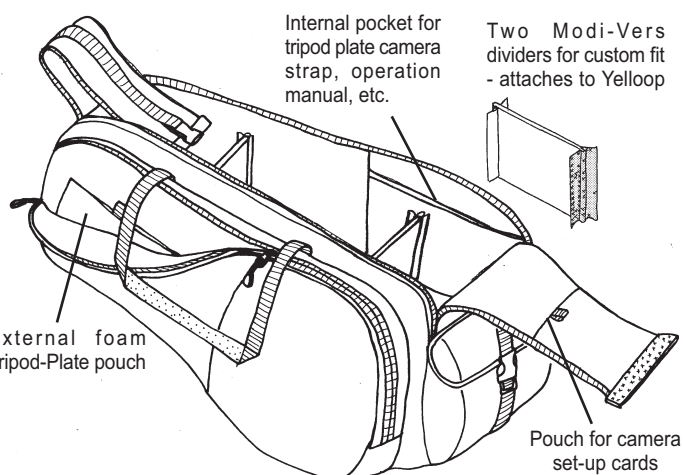
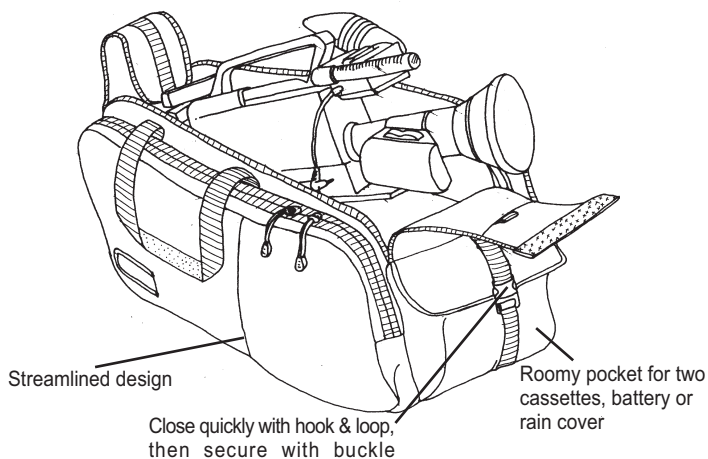


MCC - MAXI CAMERA CASE

FOR FULL SIZE PROFESSIONAL CAMCORDERS WITH TWO DIVIDERS AND EXTRA POCKETS FOR EXTRA EQUIPMENT

MCC-2

ORDER CODE KT / VA-222-2	L 28.4" 72 cm	W 10.2-6.7" 26-17 cm	H 12.2-9.9" 31-25 cm	Wt. 7.5 lbs 3.4 Kg
-----------------------------	------------------	-------------------------	-------------------------	-----------------------



The maxi equipment camera case is designed to hold full size camcorders with extra equipment.

It has two movable, removable dividers, which allow the user to put either a big camera with a large battery and large lenses or a small one with many accessories like wide angle lens or one spot light, more cassettes or batteries.

A long external padded zippered pocket is located on the right side of the bag for long accessories like small stands or a steady stick, etc. and An external tripod plate pocket is located within.

KATA'S UNIQUE FEATURES

(See catalog for details)

- APSS-shoulder strap (Patent)
- Dual-use Yellow Aluminum Buckle (Reg. des.)
- Interlocking Handles (Patent)
- Yelloop (yellow "loop" interior fabric)
- Modi-Vers
- Toblerone Shock Absorbers
- Six Layers of Protection
- ID Window

MATERIALS

- *Fabric:* DuPontd 1000 denier Cordura® and specially fabricated Nycore with fluorocarbon based water-repellent finish on the outside and three layers of polyurethane coating on the inside.
- *Straps:* High tenacity Polypropylene and Nylon webbing.
- *Padding:* Cross-linked Polyethylene-foam in shoulder straps and handles.
- *Zippers:* Silent action YKK® coil and molded zippers.
- *Buckles:* ITW® and Duraflex® Nylon and Acetal buckles.

OPTIONS

- KT/VG-MDK-10, KT/VG-MDK-20, Modi-Vers Kits

See flip side for Camera Reference Chart

