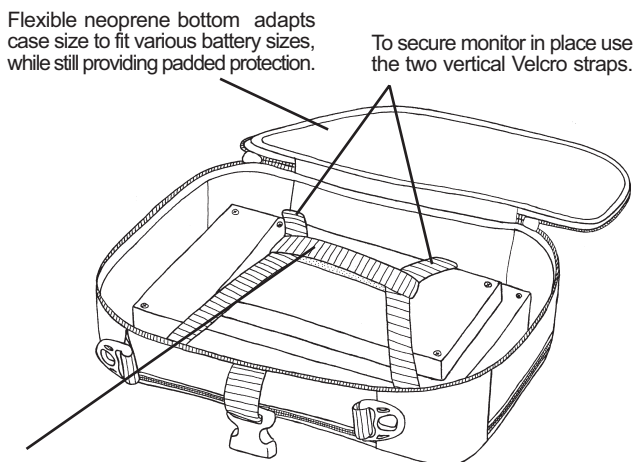
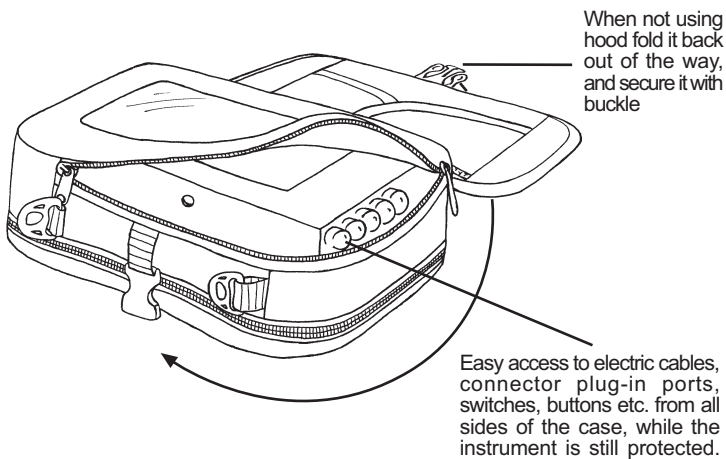
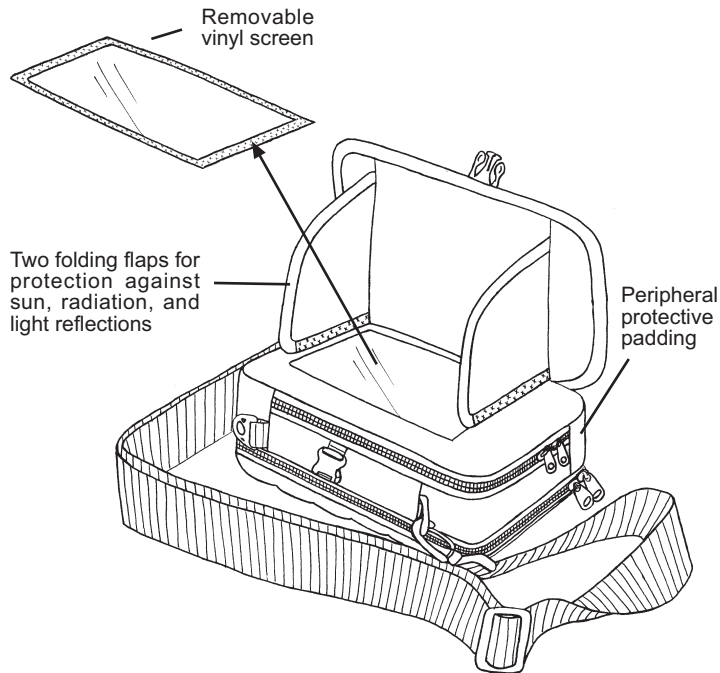


# LCM-1 - PORTABLE LCD OPERATIONAL CASE

FOR 4"-7" LCD MONITORS



With considerably smaller monitors use extra horizontal strap to secure monitor in the center of the case

## SHOULD FIT THE FOLLOWING MODELS:

IKEGAMI LCM 400-P, 400D, 600, 640  
 TELETST OZL1580, OZL1585, OZL17XX  
 TRANSVIDEO 5"-6" / MARSHALL 4"-6.4"  
 PANASONIC TC-7WM51  
 OPTEX LMD1041, OTM1690, OTM 600, OTM400  
 NEBTEK NEB50, 64B, 64G, 70 / BOLAND VO56, VO68, VO64HB  
 PRO GEAR-6.5" / PYSER-SGI 70WS, 56E / VARIZOOM 5.6" / VIEWTECH 5.6"

SPECIFICATIONS SUBJECT TO CHANGE WITHOUT NOTICE. 240303.

## LCM-1

ORDER CODE KT / VB-160-1	L 8.6" 22 cm	W 5.5" 14 cm	H 2.3" 6 cm	Wt. 0.80 lbs 0.36 Kg
-----------------------------	-----------------	-----------------	----------------	-------------------------



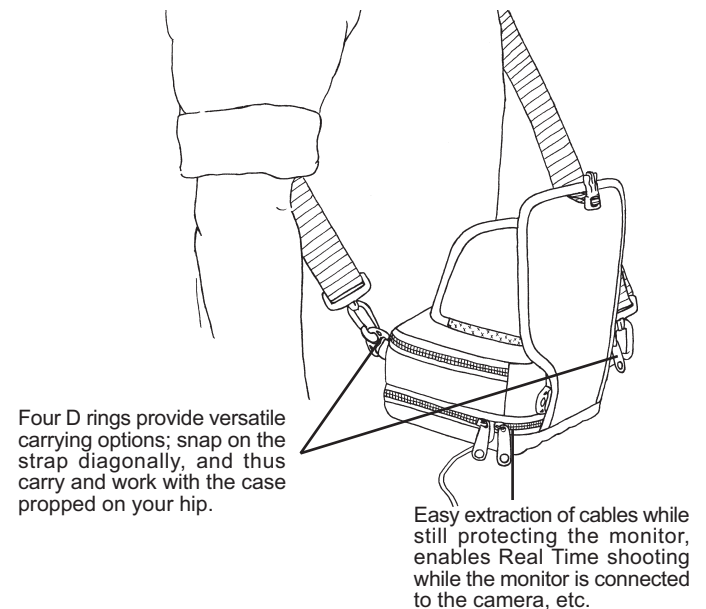
KATA's LCM-1 was designed to store and carry portable LCD monitors. It allows the work to be done under a variety of field conditions while the instrument is still in the case, thus protecting the monitor from bumps, scratches and damage while in use or not.

## MATERIALS

- **Fabric:** DuPont® 1000 denier Cordura® and specially fabricated Nycore with fluorocarbon based water-repellent finish on the outside and three layers of polyurethane coating on the inside.
- **Straps:** High tenacity Polypropylene and Nylon webbing.
- **Padding:** Cross-linked Polyethylene-foam in shoulder straps and handles.
- **Zippers:** Silent action YKK® coil and molded zippers.
- **Buckles:** ITW® and Duraflex® Nylon and Acetal buckles.

## OPTIONS

- NSS-DH - Non-slippery shoulder strap



## INTERNAL DIMENSIONS

L 8.6" W 5.5" H 2.3-4.6"  
 22cm 14cm 6-12cm

WEIGHT: 0.8 lbs  
 0.36 Kg

Development & production by KATA Ltd.

POB 4253 Jerusalem, Israel 91042

Tel: + 972-2-5388844

Fax: + 972-2-5388845

www.kata-bags.com

Info: technical@kata-bags.com

Sales: video@kata-bags.com



KATA. A SIMPLE CASE  
 OF BETTER DESIGN.