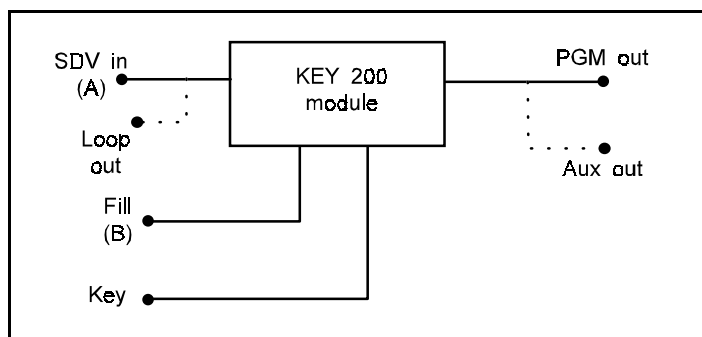


## Down Stream Keyer - Mixer Module

### Features

- Full 10 bit digital keying
- A - B mix and cut
- Fade to Black operation
- Simple GPI control
- Power Fail Bypass
- Multiple Keyers a 1U / 3U frame



The KEY200 module is a digital downstream keyer on a single card. It can be used for keying graphics onto serial digital video, with control over cuts and fades. Internal processing is done to 12 bit resolution ensuring the highest quality of picture. It's compact size allows multiple modules in a 1U frame, making it ideal for multi-level keying applications. It can also operate as a simple A-B mixer allowing cuts and fades between two sources. The KEY200 is transparent to embedded audio and VBI signals. It is part of our Series 200 interface range, enabling the keyer to be mixed with other cards, giving greater flexibility.

**Inputs :** Program (SDV in), Key channel (KEY in), Foreground or Fill (FGND) in  
All are Serial Digital Video (270Mb/s) to EBU Tech. 3267-E, (SMPTE 259M)

**Outputs :** Program (PGM) out. (Power bypass relay connects SDV in to PGM out)  
Second output is set by link to be loop though of in (LOOP) or another program out (AUX)

**Processing :** The internal multiplier works to 12 bit resolution, rounding to 10 bits on output  
The delay through the keyer can be set by the user up to approx 1/2 line (32uS)  
This allows a wider timing window for the Key and Fill inputs.

**Control :** *Dip switch allows setting of -*  
Mix / Key mode  
Put Keyer into electronic bypass (takes graphic off air)  
Set PGM output to black  
Set foreground to black (enables Fade to Black)

*Links on the module allow -*  
Manual / Auto standard detect  
Manual setting to 525 / 625

*GPI control allows external -*  
Fade up - take to ground to activate  
Fade down - take to ground to activate  
Tally - Open Collector, goes low when Keyer faded up (or mixer on B input)

*RS232 / 422 control -* requires CPU card in one slot, contact Microvideo for further details.

**Physical** Eurocard size module (220x100mm) for mounting in Microvideo's 1U and 3U frames.  
The power consumption is 7W. For Microvideo frames it has a power figure of 14.

### KEY200 rear module connections

