

# Microvideo

## Upgrade Information on the KEY-S10 Digital Video Keyer / Mixer

As part of our continuous development program we have over the last year re-designed our stand-alone 1U digital video Keyer, the KEY-S10. This new design has some significant advantages over the previous version. In order to allow existing users of the KEY-S10 to benefit from this we are offering an upgrade of the main processing board at a greatly reduced price. The benefits of upgrading are detailed below -

### Removal of Sony 1601 / 1602 chips from the board.

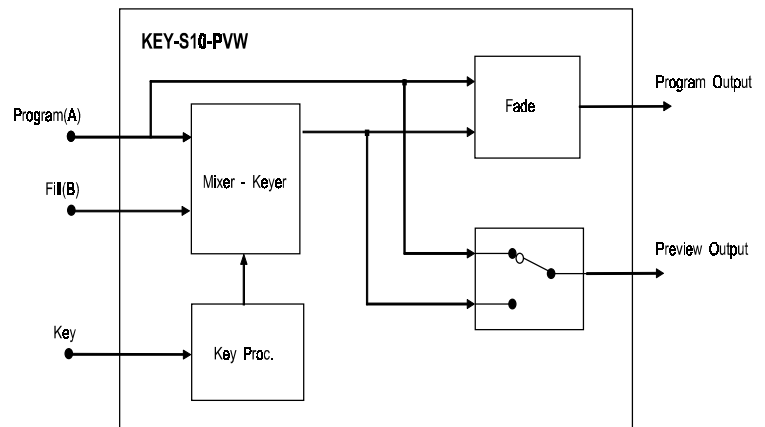
It is known that these chips have reliability issues and need to be replaced every few years. We are also concerned as to the long term availability of the parts and therefore feel that this in itself is a very good reason to consider upgrading.

Another factor is that the cost of the Sony chips has also risen and is now in excess of £100 per chip. As the Keyer can have up to 5 chips on the board it could, over a few years, become more cost effective to upgrade the board of the Keyer.

### True Preview Output

A change to the architecture now means that the Preview Output (PVW) will always show the keyed graphic, even during transitions. This enables easier operation, especially when using the T-BAR remote control panel.

Note - The previous keyer hardware could not show the graphic when fading. It could only be re-shown at the end of the transition.



### Which products are applicable for an upgrade ?

Upgrade should be considered on all keyers shipped before January 2001.

These will have serial no. **below MK366**.

### How is the upgrade done ?

It will depend on the age of the keyer you have but in many cases it is simply a board swap. The main video processing (keyer) board is removed from the rear of the unit and the new one inserted.

In some cases it may be necessary to return the unit to Microvideo, depending on your requirements.

### Will it effect remote control by GPI or RS232/422 ?

It is advisable to inform us of the software version that your keyer has. This is displayed on power up. We can ensure that if you require new software we can supply it with the board upgrade.

### Cue Dot Generators

The fixed type Cue Dot Generator (Part No. CUEGEN-F) from Microvideo uses hardware based upon the digital keyer. Therefore if you have one of these units then it is possible to upgrade that too. Microvideo offer two types of Cue Dot Generators. The fixed cue dot generator has no user controls on the front panel.

The Variable Cue Dot Generator (Part No. CUEGEN-V) has full front panel controls with an LCD display. This is based on different hardware and we would advise users of this type to contact Microvideo for discussion on the upgrade options.