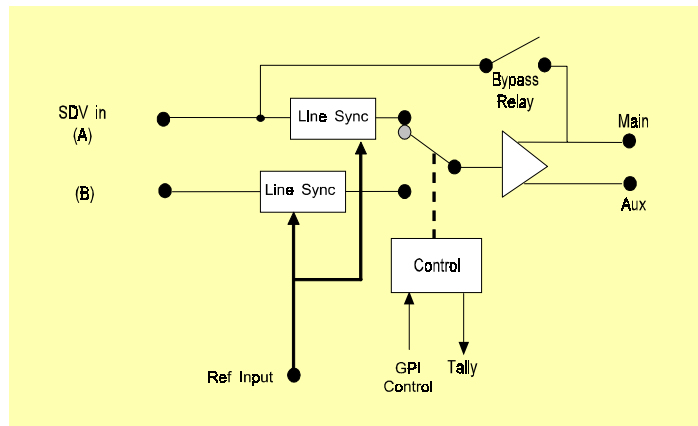
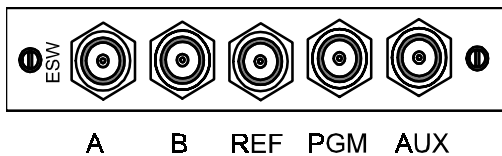


2x1 Synchronised Video Switch

- Switches Serial Digital Video
- Clean switching action
- Automatic switching on signal loss.
- GPI interface for external switch control.
- Power-fail bypass relay
- Multiple cards in a single frame



The ESW201-S is a 2 x 1 switch which features line synchronisers on its two inputs. This ensures that a clean switch is achieved even when the two sources are mis-timed. The line synchronisers allow up to two lines difference between the inputs A and B. The REF input is used to provide a stable reference so that should either of the inputs disappear the correct timing phase is maintained.

It is assumed that A is the main program path and so the card can be set to automatically switch to B when input A disappears. Alternatively the Switching action can be externally controlled by a GPI contact closure.

The maximum delay through the card for input A is two lines, however this can be reduced by on-board links if the timing of inputs A, B and REF are close. Ideally the REF input timing should be slightly earlier than A and B but a hex switch allows the card to offset the REF input timing by up to 5 lines earlier which assists in setting the card up.

Specifications

- Inputs:** Serial Digital Video (270Mb/s) to SMPTE 259M (EBU Tech 3267-E)
- Output:** SDV (270Mb/s) on Program and Auxiliary output.
Power failure activates relay by-pass connecting input A to the main Program output.
- Ref Input :** Analogue Video (PAL/NTSC), 1V into 75R (optional internal termination)
- Control:** In manual switch mode a closing contact to ground causes a switch to input B
A tally output is provided which indicates switch status.
- Physical:** Up to 6 modules will fit in a Microvideo 1U FRAME. A 3U frame is also available.
They may be mixed with other Microvideo boards in the same frame.

Ordering Information:

ESW201-S 2x1 synchronised switch module for serial digital video.