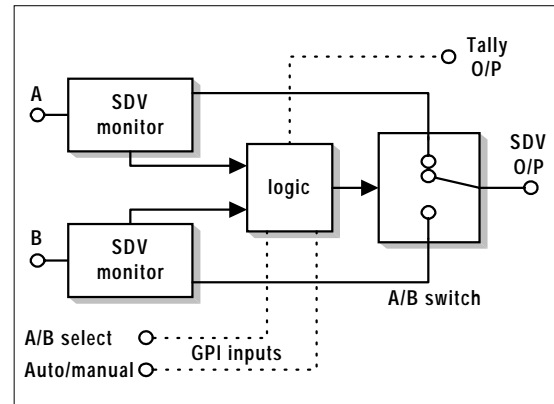
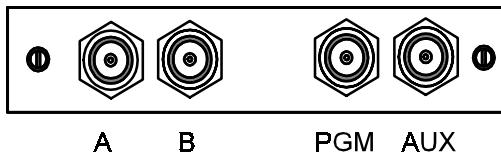


## 2x1 Switching for Serial Digital Video

- Cost effective 2x1 switching.
- Automatic switching on signal loss.
- GPI interface for external switch control.
- Power-fail bypass.
- Vertical interval switching.



The ESW201 is designed for switching applications where large routers are not cost effective or do not offer failure safety measures or automatic switching capability. The standard ESW201 monitors the video on its main input (A). If the sync words are absent for 2 fields (or they are misplaced) then it will switch to Back-up (B) input.

The ESW201-B is an option on the standard ESW201. It has the capability to monitor the status of the video signal on the B channel input (as well as the A). The advantage of this feature is that either of the inputs, A or B, can then be the primary input. The card remains on the primary input unless it fails. Selection of the primary input is by a GPI input.

The main application area for the ESW201-B is where the two SDV signals have equal status, this is slightly different from the standard ESW201 where input A is always the primary input and B is a Back-up, (used only when A fails).

The ESW201-B also has a second GPI input to allow it to be set to manual operation. In this mode, the user over-rides the auto-switching capability.

**Inputs:** 2 x Serial Digital Video (270Mb/s) to SMPTE 259M (EBU Tech 3267-E), called A and B.

**Outputs:** 2 x re-clocked SDV (270Mb/s), called Program and Auxiliary output.  
In the event of power failure to the unit a bypass relay connects input A to the Program output. This can also be activated by a switch on the front of the card.

**Control:** 2 x GPI inputs - AUTO and SELECT  
AUTO GPI allows remote selection of Auto or Manual switching modes.  
In manual switch mode the SELECT GPI switches between input A and B.  
In auto switch mode the status of the SELECT GPI will define which input is treated as the primary.  
The primary input is monitored and if it becomes invalid the card will switch to the other input.

A tally output is provided which indicates switch status. Control and Tally signal are taken to a common connector on the rear of the frame.

**Physical:** Eurocard size module for mounting on our 1U or 3U frames.  
Power consumption = 5W

**Rack Frames:** Up to 6 modules will fit in a Microvideo 1U FRAME. A 3U frame is also available.  
They may be mixed with other Microvideo Series 200 boards in the same frame.

**Product Code:** ESW201- B 2x1 serial digital video switch module with B input monitoring.