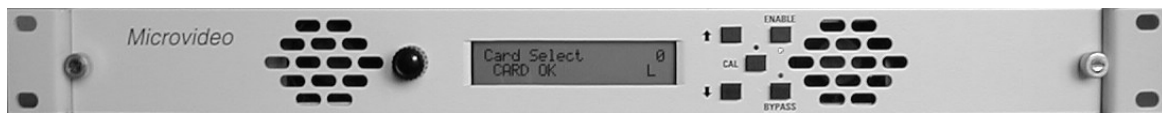
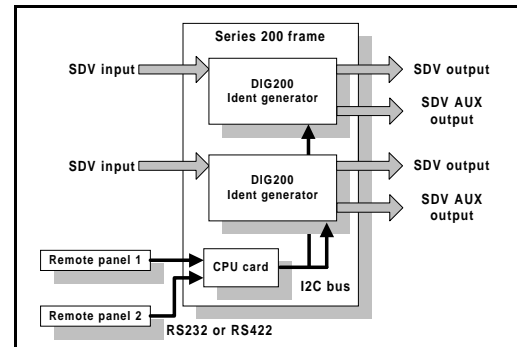


Digital Ident Generator

- Series 200 Eurocard
- Stores 6 Idents or Logos
- SDI Grab
- Internal Down Stream Keyer
- Internal Text
- Multi Channel Systems



Active front panel

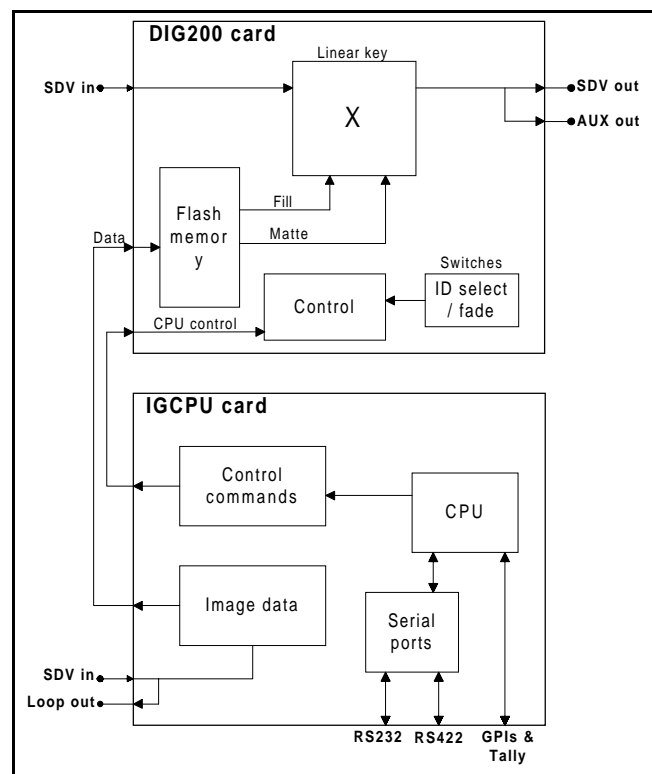
The DIG200 is an integrated logo generator and down stream keyer on a single Series 200 eurocard. It is designed to insert logos or station idents onto the outgoing picture in a serial digital video (SDV) installation. The card can store 6 'idents' which are images that can be 256 x 256 pixels for 'bugs' or 720 x 80 lines for text idents. A simple text generator with a fixed font provides a 7th ident of up to 20 characters; several text strings can be stored and recalled. Each ident is stored as foreground and matte, it is linear keyed onto the program input so it can be semi-transparent and faded in and out. A CPU card is required in the frame to load the images, set their position and enter text, this also provides the RS232/422 ports for automation and remote control operation.

Programming

Idents can be 'grabbed' (programmed) from the SDV input of the CPU card, this allows direct transfer from graphics systems. Foreground and matte (key) are grabbed separately. The SDV program passes through to the main output of the ident card while programming is in progress (active bypass). Each image can be positioned anywhere on the screen and may be moved around after being stored on the ident card. Once programmed the ident card may be used without the CPU card in the frame.

Keying

Keying is done internally with a linear keyer. Transition time can be set for timed fades of the logo. Fades can be triggered by GPIs or via automation or remote control. Embedded audio and VBI data present in the incoming SDV signal are passed transparently.



Specifications:

DIG200 Card:

Input: 1 x SDV (270Mb/s) 525/625 lines to EBU Tech. 3267-E & SMPTE 259M
Output: 1 x SDV (270Mb/s) PGM (with power fail bypass from SDI input)
1 x SDV (270Mb/s) AUX

IGCPU Card:

Input: 1 x SDV (270Mb/s) terminated in 75R on card, 625/525 video standard (manual or automatic selection)
Output: 1 x SDV (270Mb/s) PGM

Physical:

Power Consumption 5.5W approx
Single Eurocard, front loading design for Microvideo 1U or 3U frames.

Ordering Information:

DIG200 - Digital Ident Genetator Module

Related products:

IGCPU	CPU card for programming and RS232/422 control
EU-FRM1U	Rack mounting 1U frame with up to 6 slots for Series 200 cards
FL-FRM3U	Rack mounting 3U frame with up to 15 slots for Series 200 cards
REM-DIG	Remote control panel for Digital Ident Generator
-FP	Active front panel for 1U frame
-RP	Redundant power supply (optional for both 1U and 3U frame, this option reduces card capacity)
