

# CAMERA GLOVE

INCLUDES RAIN HOOD AND FLEXIBLE VF COVER

KT/VA-601-3

CG-3

for **SONY** DVW 700/790WS/709WS/707  
HDW 700/750/790/900 MSW 900P (IMX)

KATA's new camera glove is custom fitted to your camera so that it "fits like a glove":

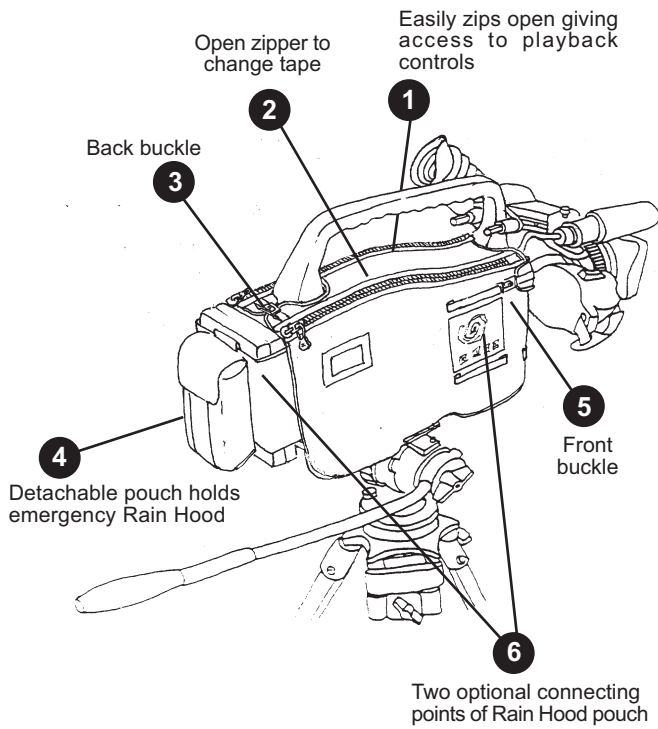
- Protection against cold, dirt, bumps and scratches
- Attractive design
- Improved product engineering: overlapping closure design
- Accommodates batteries in several sizes
- Designed not to interfere with camera operation
- "Pull to open!" system
- Advanced materials:

The gloves are made of a specially engineered lamination:  
A External layer of nylon elastic knit, which enables ventilation and is not abrasive to your skin.

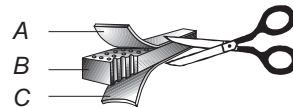
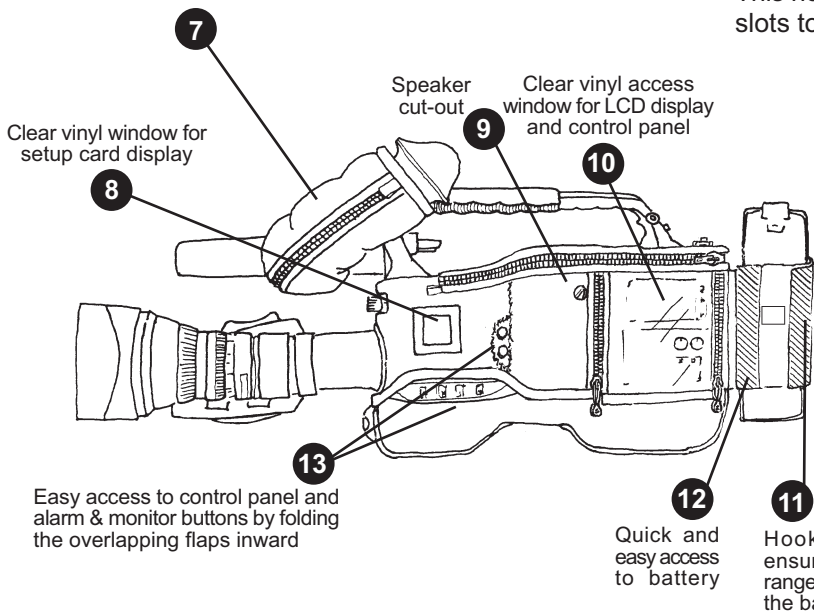
B Middle layer of shock resistant advanced closed cell neoprene perforated foam, prevents overheating of your camera.

C Internal knit layer protects the camera body.

This non-fray lamination enables you to cut open additional slots to fit your exact working configuration.

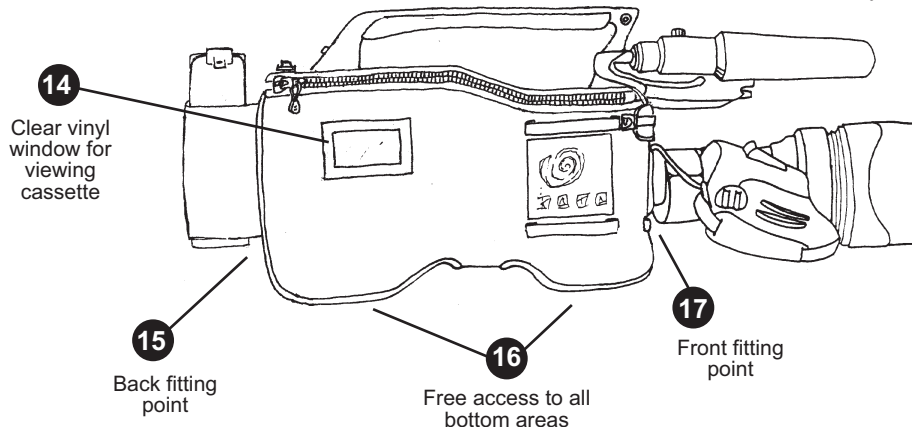


Flexible viewfinder glove allows full rotation.  
Zipper access to buttons



## MATERIALS

- Neoprene foam laminated between two layers of elastic cloth
- Clear PU UV protected windows
- Nylon hook & loop material
- Silent action YKK® zippers
- Fastex-ITW® nylon or acetal buckles



## SPARE PARTS (If lost or damaged)

- VA-601-1-RH Rain Hood with pouch
- VA-601-1-VF Flexible Viewfinder Cover

Development & production by **KATA** Ltd.  
POB 4253 Jerusalem, Israel 91042  
Tel: + 972-2-5388844  
Fax: + 972-2-5388845  
www.kata-bags.com  
Info: technical@kata-bags.com  
Sales: video@kata-bags.com



KATA. A SIMPLE CASE  
OF BETTER DESIGN.

# CAMERA GLOVE

INCLUDES RAIN HOOD AND FLEXIBLE VF COVER

KT/VA-601-3

CG-3

for SONY DVW 700/790WS/709WS/707  
HDW 700/750/790/900 MSW 900P (IMX)

## GENERAL INSTRUCTIONS

### 1. DRESSING THE CAMERA

Open the main zipper (No.1) and buckles (No.3, No.5).  
Put the camera in the glove.  
Stretch the bottom part to fit around points (No.15) and (No.17)  
**(Important!)**  
Pull up and close zipper (No.1).  
Close buckles (No.3) and (No.5).

### 2. ADJUSTMENT TO BATTERY

First close left hook strap, (No. 12) then adjust back part to your battery with right hook strap (No.11)  
Use the left hook strap for changing battery (No.12)  
**Note:**  
do not open right hook strap (No.11) each time you change the battery.

**3. CHANGING TAPE** - For changing tape open tape zipper (No.2). Press eject button through Neoprene.

**4. SETUP CARD** - For access to setup card slot open buckle (No.5).

**5.** For access to covered buttons, fold overlapping flaps inwards (No.13).

### 6. VIEW FINDER GLOVE

Open buckle and zipper and pull over VF.  
If necessary, cut out a window to expose the Tally light.

### 7. RAIN HOOD

Emergency Rain Hood (No.18) in pouch (No.4).  
The Rain Hood pouch has two optional connecting points: back and front (No.6)

