

CAMERA GLOVE

INCLUDES RAIN HOOD AND FLEXIBLE VF COVER

KT/VA-601-1

CG-1

for **SONY** BVW-200/300/400/D600 camcorders
and **IKEGAMI** HL-V55

KATA's new camera glove is custom fitted to your camera so that it "fits like a glove":

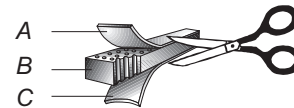
- Protection against cold, dirt, bumps and scratches
- Attractive design
- Improved product engineering: overlapping closure design
- Accommodates batteries in several sizes
- Designed not to interfere with camera operation
- "Pull to open!" system
- Advanced materials:

The gloves are made of a specially engineered lamination:
A External layer of nylon elastic knit, which enables ventilation and is not abrasive to your skin.

B Middle layer of shock resistant advanced closed cell neoprene perforated foam, prevents overheating of your camera.

C Internal knit layer protects the camera body.

This non-fray lamination enables you to cut open additional slots to fit your exact working configuration.



MATERIALS

- Neoprene foam laminated between two layers of elastic cloth
- Clear PU UV protected windows
- Nylon hook & loop material
- Silent action YKK® zippers
- Fastex-ITW® nylon or acetal buckles

Hook & loop adjustment ensures a snug fit on a wide range of batteries and protects the battery as well

SPARE PARTS (If lost or damaged)

- VA-601-1-RH Rain Hood with pouch
- VA-601-1-VF Flexible Viewfinder Cover

Development & production by KATA Ltd.

POB 4253 Jerusalem, Israel 91042

Tel: + 972-2-5388844

Fax: + 972-2-5388845

www.kata-bags.com

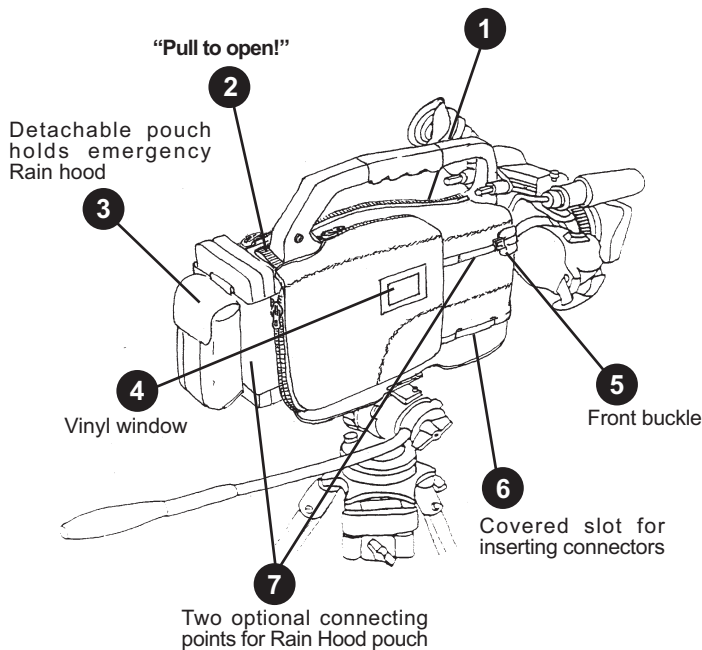
Info: technical@kata-bags.com

Sales: video@kata-bags.com

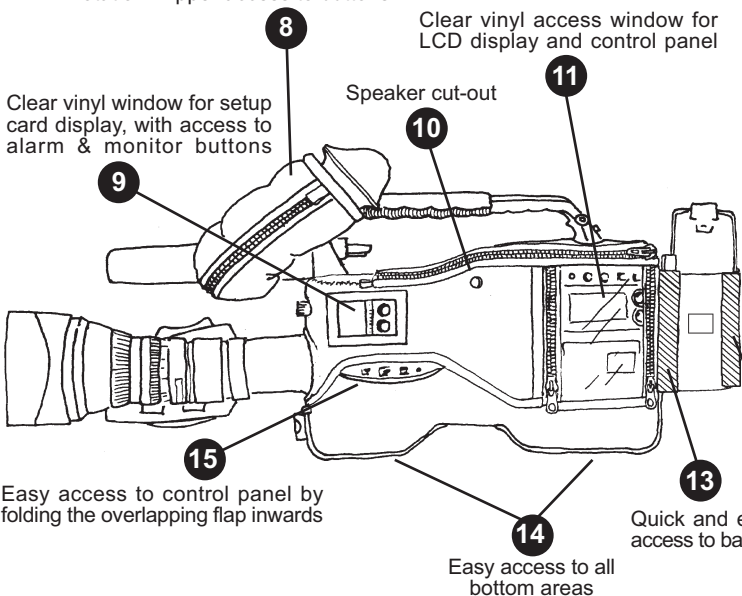


KATA. A SIMPLE CASE
OF BETTER DESIGN.

Quickly zips open for easy access to playback controls

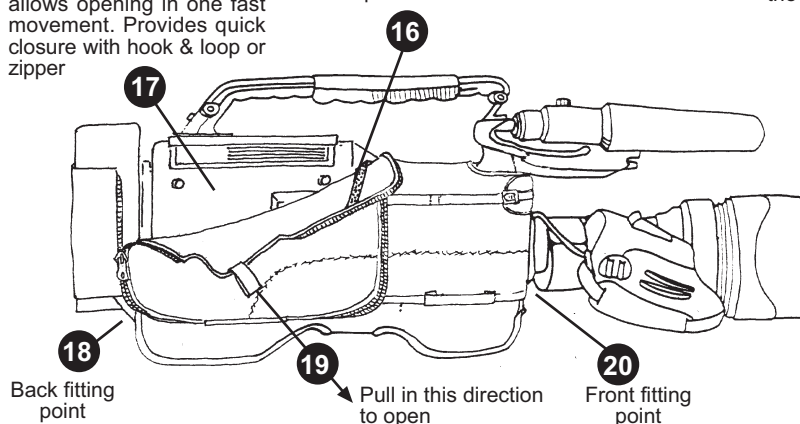


Flexible viewfinder glove allows full rotation. Zipper access to buttons



The "Pull to open!" system allows opening in one fast movement. Provides quick closure with hook & loop or zipper

Hook & loop quick closure



CAMERA GLOVE

INCLUDES RAIN HOOD AND FLEXIBLE VF COVER

KT/VA-601-1

CG-1

for SONY BVW-200/300/400/D600 camcorders
and IKEGAMI HL-V55

GENERAL INSTRUCTIONS

1. DRESSING THE CAMERA

Open the main zipper (No.1) and buckle (No.5).
Put the camera in the glove.
Stretch the bottom part to fit around points (No.18) and (No.20)
(Important!)
Pull up and close zipper (No.1).
Close buckle (No.5).

2. ADJUSTMENT TO BATTERY

First close left hook strap, (No.13) then adjust back part to your
battery with right hook strap (No.12)
Use the left hook strap for changing battery (No.13)
Note:
Do not open right hook strap (No.12) each time you change the
battery.

3. CHANGING TAPE - "Pull to open!" system.

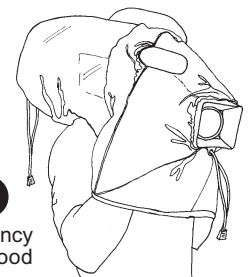
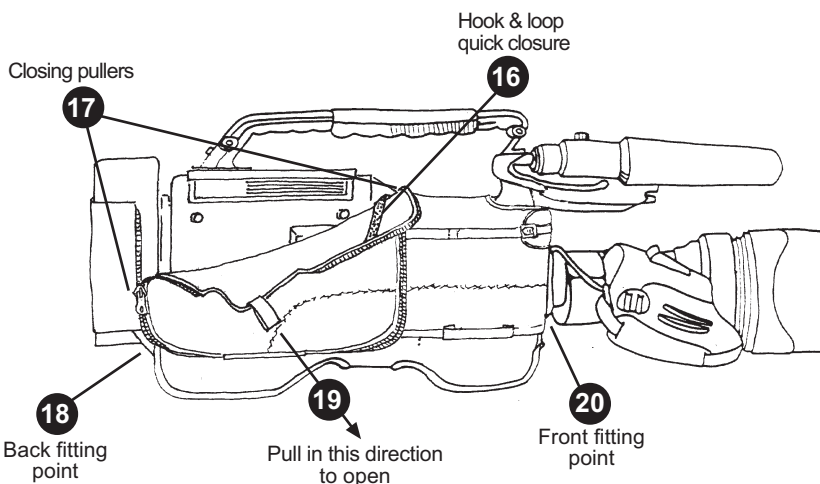
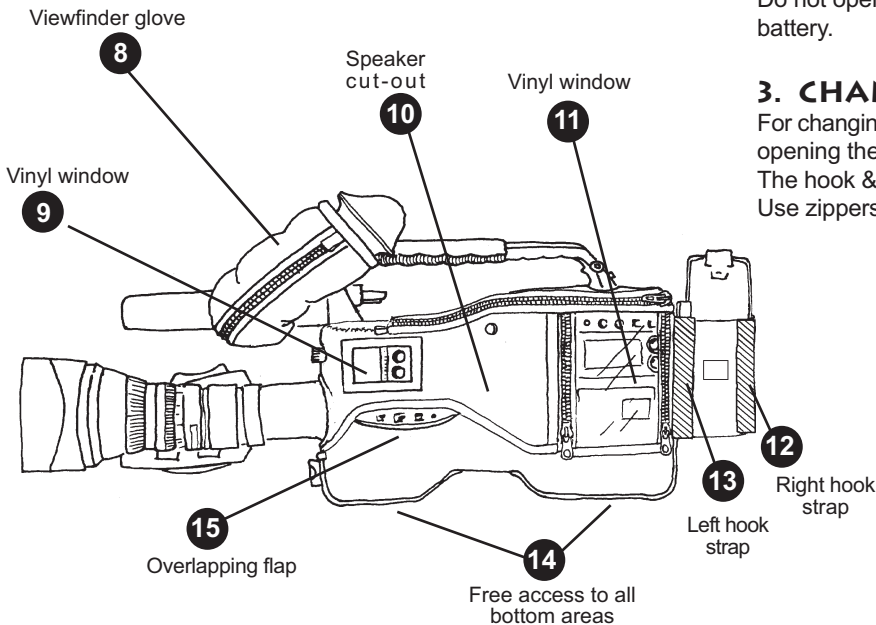
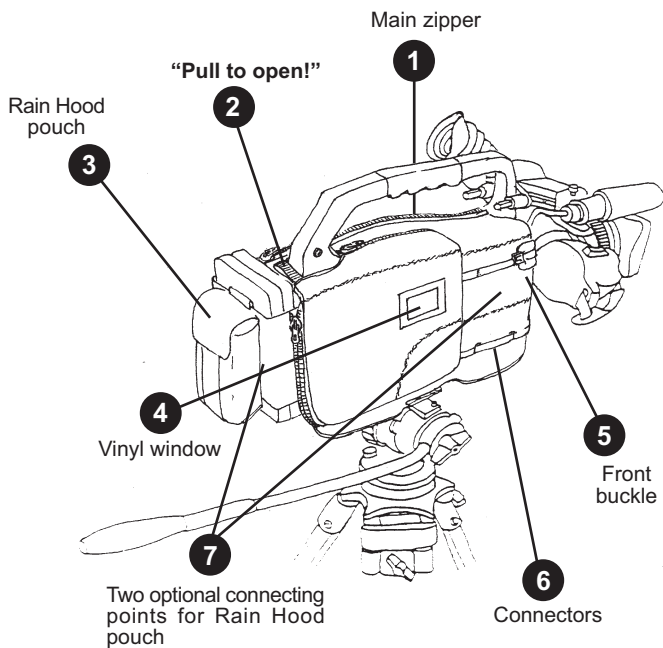
For changing tape pull strap (No.2) in a diagonal direction (No.19),
opening the whole zipper in one movement.
The hook & loop (No.16) enables quick temporary closing.
Use zippers (No.17) for tight closing.

4. SETUP CARD - For access to setup
card slot open buckle (No.5).

5. CONTROL PANEL - For access to
control panel fold flap inwards (No.15).

6. VIEW FINDER GLOVE
Open buckle and zipper and pull over VF.
If necessary, cut out a window to expose the
Tally light.

7. RAIN HOOD
Emergency Rain Hood (No.21) in pouch (No.3).
The Rain Hood pouch has two optional
connecting points:
back and front (No.7)



21
Emergency
Rain Hood

