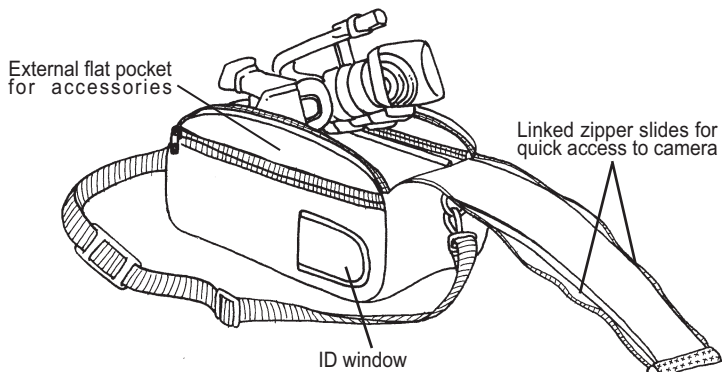
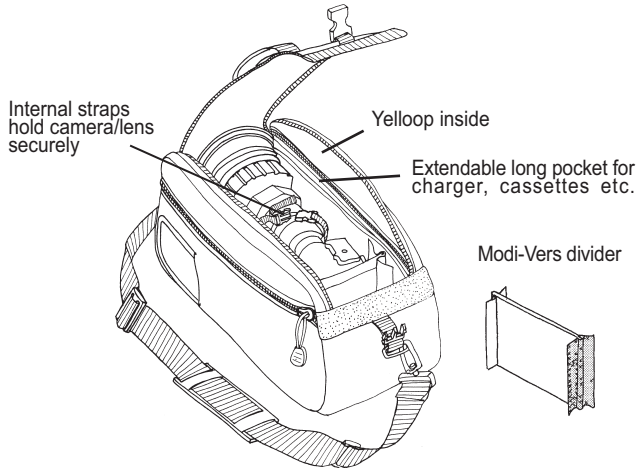
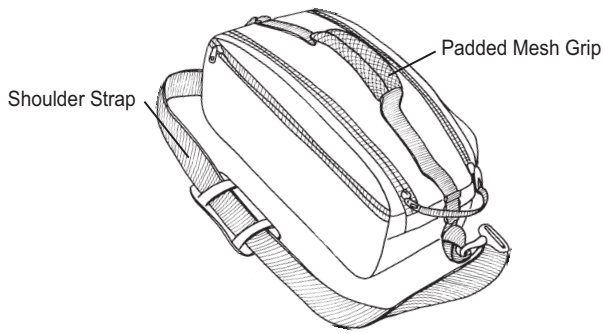


CCC - COMPACT CAMCORDER CASE

FOR COMPACT CAMCORDERS OR PROFESSIONAL LENS

CCC- 101*

ORDER CODE KT / VA-101	L 14.5" 37 cm	W 6" 16 cm	H 7" 17 cm	Wt. 1.54 lbs 0.70 Kg
---------------------------	------------------	---------------	---------------	-------------------------



The **CCC-101** is a compact, padded case designed to hold camcorders such as the Sony DCR VX-1000 EVO-9100, DSR PD100A, Panasonic AG-EZ1, Canon GL-1/XM-1, GL-2/XM-2 and similar models with charger, batteries, cassettes, etc. or full size camcorder lenses.

It has one movable divider to provide a custom fit for your camera and inside pocket for accessories.

KATA'S UNIQUE FEATURES

(See catalog for details)

- SPAD shoulder strap
- Yellow loop (yellow "loop" interior fabric)
- Modi-Vers
- ID Window
- Padded Mesh Grip

MATERIALS

- *Fabric:* DuPont 1000 denier Cordura® and specially fabricated Nycore with fluorocarbon based water-repellent finish on the outside and three layers of polyurethane coating on the inside.
- *Straps:* High tenacity Polypropylene and Nylon webbing.
- *Padding:* Cross-linked Polyethylene-foam in shoulder straps and handles.
- *Zippers:* Silent action YKK® coil and molded zippers.
- *Buckles:* ITW® and Duraflex® Nylon and Acetal buckles.

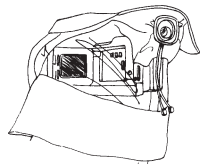
OPTIONS

- NSS-4-DH - Non slip shoulder strap with nylon buckle
- KT/VG-MDK-10, KT/VG-MDK-20, Modi-Vers Kits

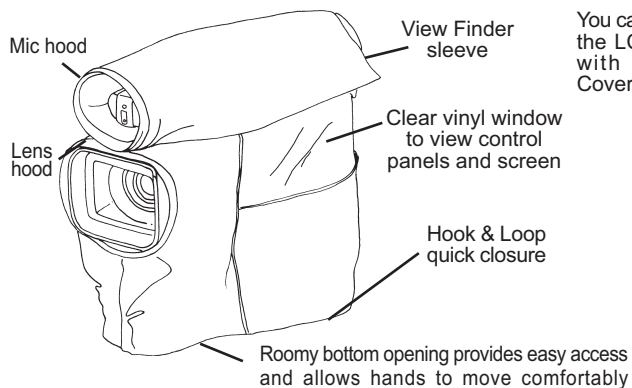
COMPACT RAIN COVER-13

MATERIALS:

- Crystal clear vinyl window
- High density nylon fabric, treated with 3 layers of PU component coating
- Fastex-ITW® nylon or acetal buckles



You can work with the LCD Monitor with the Rain Cover on



SPECIFICATIONS SUBJECT TO CHANGE WITHOUT NOTICE. 230303.

See flip side for Camera Reference Chart

CRC-13* (RC-13)

ORDER CODE KT / VA-801-13				Wt. 0.24 lbs 0.11 Kg
------------------------------	--	--	--	-------------------------

Compact Rain Cover 13 protects camcorders such as the Sony DCR VX-1000 EVO-9100, DSR PD100A, Panasonic AG-EZ1, Canon GL-1/XM-1, GL-2/XM-2 and similar models

***SOLD SEPARATELY**

Development & production by **KATA** Ltd.
POB 4253 Jerusalem, Israel 91042
Tel: +972-2-5388844
Fax: +972-2-5388845
www.kata-bags.com
Info: technical@kata-bags.com
Sales: video@kata-bags.com



KATA. A SIMPLE CASE OF BETTER DESIGN.